

## AVI128 Double Internal Fan Alternator

These alternators are compact and offer high output performance using the latest technology in design and manufacturing techniques. This alternator features intelligent regulation and high temperature diodes for superior low end performance.

### Features & Benefits

- Two fans, state-of-the-art design, ventilate separately: electronics, front winding, rear winding and rotor.
- More efficient cooling
- Range of mounting and termination options
- Wide range of operating temperatures
- Completely self-contained unit with integral regulator, minimizing wiring
- Direct connection of charge warning lamp
- High temperature rated diodes, varnish and bearings
- Rectifier pack with high resistance to vibration
- Built-in surge protection
- Single V and V-ribbed pulleys appropriate to conditions of service
- Special pulleys available to customers requirements
- Enclosed brush-box
- Bearings lubricated for life
- Long life brushes
- Pre-set regulator requiring no adjustment in service

### REGULATOR

Thick film technology

- Single Function:  
Regulating voltage and thermal compensation as requested.
- Multi-Function:  
Regulating voltage as requested. Fault diagnostics: break in the positive wire; break in the Alternator to Battery wire; power stage in short circuit; over-voltage & low-voltage.

## AVI128 Alternator

**12 Volt, 80, 90 & 110 Amp**



### Applications

- Automotive
- Light Duty Truck
- Marine
- Material Handling

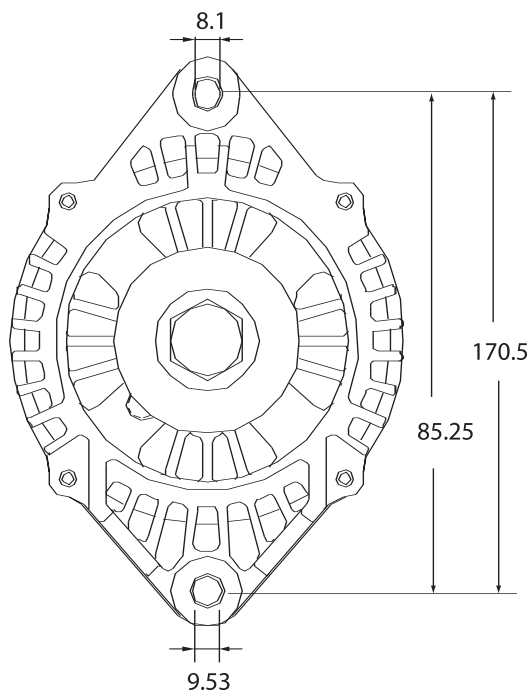
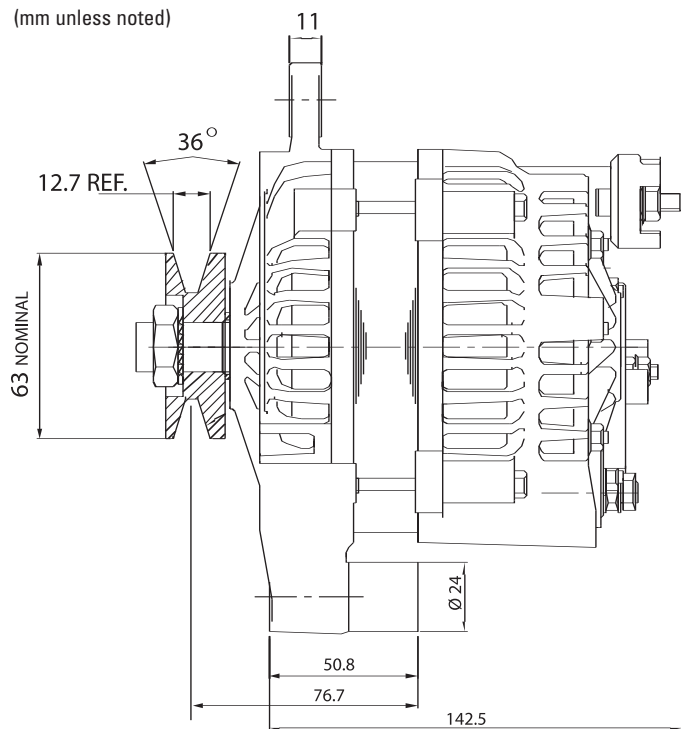
### Specifications

- System Voltage: 12 volt
- Polarity: Normally negative ground
- Operating air inlet temperature range: -40°C to +100°C
- Rotation: Clockwise or counter clockwise
- Nominal Speed: 18,000 rpm continuous duty
- Maximum Speed: 21,000 rpm for 20% duty cycle
- Weight (including fan): 11.5 lbs. (5.2 kg)
- Stator diameter: 128 mm

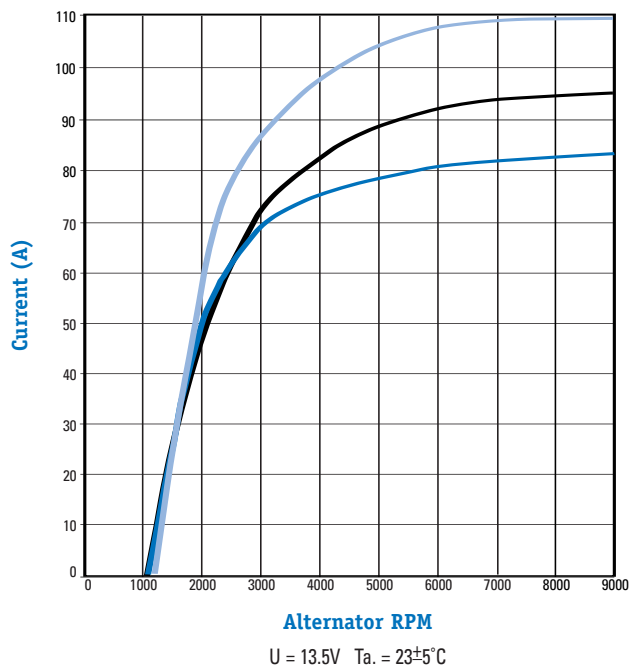
## Typical Dimensions

## AVI128 Alternator

(mm unless noted)



## Product Performance



**MANUFACTURING & OE SALES**  
**LEECE-NEVILLE HEAVY DUTY SYSTEMS**  
400 Main Street  
Arcade, NY 14009  
(585) 492-1700  
Fax: (585) 492-1660

**QS9000 Certified**  
[www.prestolite.com](http://www.prestolite.com)

**AFTERMARKET SALES LEECE-NEVILLE**  
7585 Empire Drive  
Florence, KY 41042  
(800) 354-0560  
(859) 525-8801  
Fax: (800) 997-6202