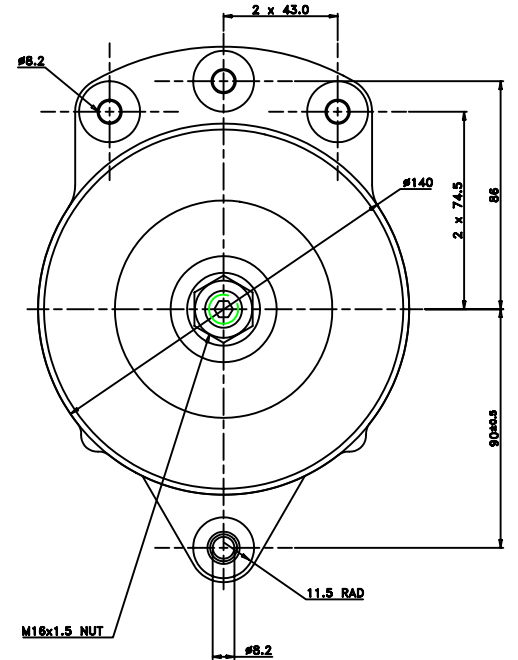
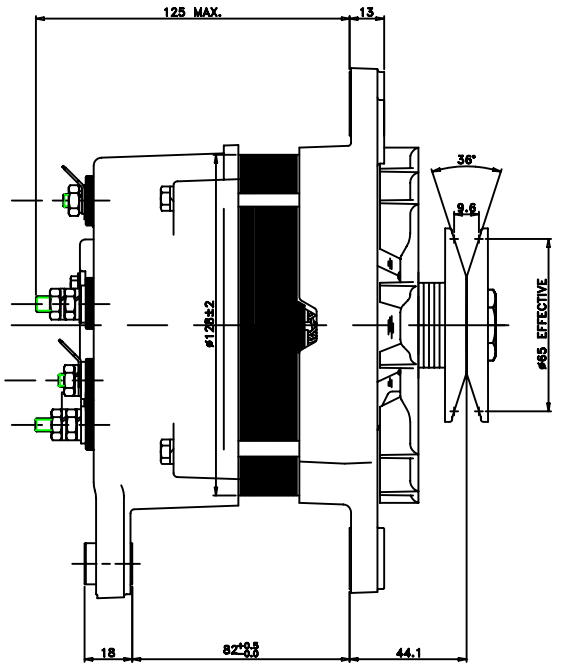
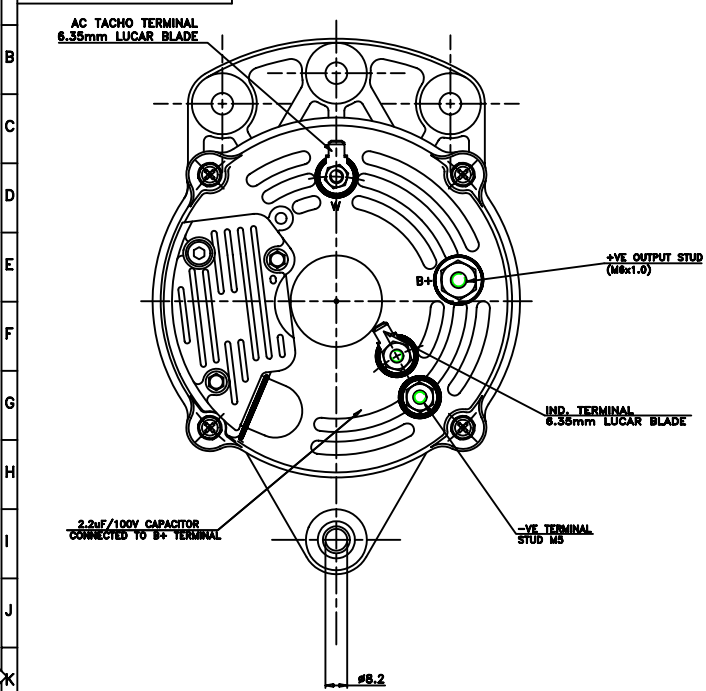


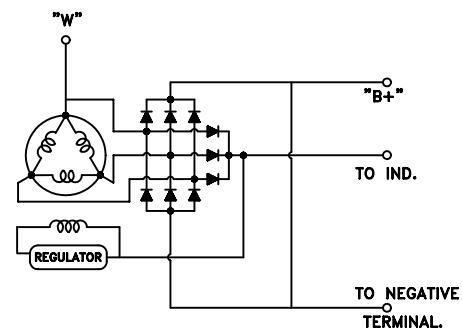
QUOTE LATEST CHANGE SYMBOL
DRG. No. 662 029 10

THIRD ANGLE PROJECTION DO NOT SCALE DIMENSIONS IN MILLIMETRES

CHANGE FIRST ISSUE



ELECTRICAL CIRCUIT (INTERNAL).



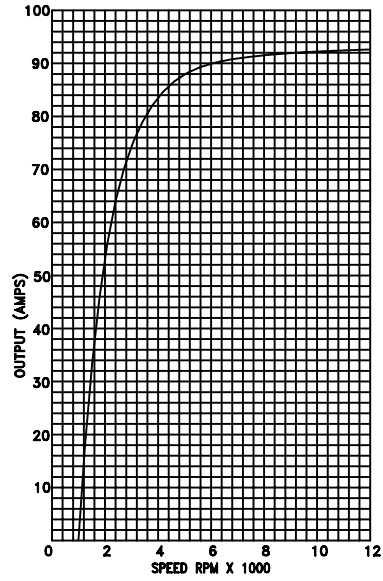
ALTERNATOR MOUNTING SEQUENCE.

1. ASSEMBLE LOOSELY.
 2. TIGHTEN THE ADJUSTING STRAP BOLT.
 3. TIGHTEN THE DRIVE END MOUNTING BOLT.
- MOUNTING BOLT TORQUE 209 - 227 Kg/cm(20.4 - 27Nm).
ADJUSTING STRAP BOLT TORQUE 111 - 138Kg/cm(10.9 - 13.5Nm).
SHAFT NUT TORQUE 50 - 70Nm.

FAN BELT TENSIONING.
FAN BELT TENSION TO BE BETWEEN 13 AND 18 kgf.

SPECIFICATION.
ALL ALTERNATORS WILL CONFORM TO PRESTOLITE PRODUCT SPECIFICATION SA160 - 15 - 50.

- NOTES**
- INSULATED RETURN
 - NOMINAL VOLTAGE 12V
 - ALUMINIUM BRACKETS POWDERCOATED WHITE.
 - DIMENSIONS ARE FOR ENGINEERING PURPOSES ONLY AND ARE NOT INTENDED FOR INSPECTION EXCEPT DIMENSIONS IDENTIFIED WITH (V)



SIGNIFICANT CHARACTERISTIC DIMENSIONS IDENTIFIED WITH THIS SYMBOL

660 215 90M
660 215 91M

DRAWN *NAD* DATE 18/06/01
CHECKED _____ UPDATED _____
APPROVED _____ FILE:202910.DWG
SCALE: FULL
DRG. No. 662 029 10

GEOMETRIC TOLERANCE SYMBOLS	SYMBOL	CHARACTERISTIC	SYMBOL
CHARACTERISTIC	SYMBOL	CHARACTERISTIC	SYMBOL
FLATNESS		FLAT OUT	
ROUNDNESS		POSITION	
CYLINDRICITY		CONCENTRICITY	
PROFILE OF A LINE		SYMMETRY	
SURFACE PROFILE		IRREG.	
PARALLELISM		TRUE POSITION	
SQUARENESS		WAVE	
STRAIGHTNESS		IRREGULARITY	

PRESTOLITE ELECTRIC (PTY) LTD
OWNS THE COPYRIGHT OF THIS DRAWING / DOCUMENT.
IT SHALL NOT BE COPIED (IN WHOLE OR PART) USED FOR MANUFACTURE OR DISCLOSED WITHOUT THE PRIOR CONSENT OF THE OWNERS.
ALL COPIES TO CONTAIN THIS LEGEND

LIMITS UNLESS STATED
DIMENSIONS & RADII WITH:
NO DECIMALS (e.g. 22) ±0.4mm
ONE DECIMAL (e.g. 22.1) ±0.25mm
TWO DECIMALS (e.g. 22.15) ±0.1mm
ANGLE 0 DEGS 15 MINES
AVOID SHARP CORNERS/BLENDED 2mm MAX.

MAT'L _____
SPEC'N _____
TREAT _____
FINISH _____
FIRST USED ON _____ REF. _____
AS128e
ALTERNATOR OUTLINE

PRESTOLITE
© 2001
Prestolite Electric (PTY) LTD
FLORIDA
Automotive Systems
SOUTH AFRICA